

- Response temperature 250 – 900 °C
- Viewing angle 1°
- Parameterization with RS 485 + Software
- Teach-function
- 2 free adjustable switching outputs
- Test input / external Teach
- Plug S8 (M12)



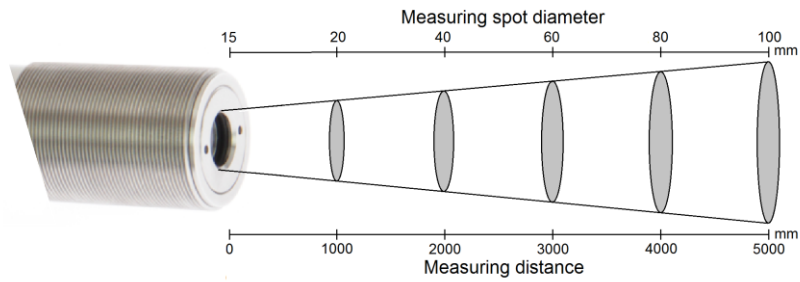
Product Characteristics

Type	OXS 102T.2A G S8
Art.-No.	7700A
Application	Material detection of hot objects, temperature control, hot rolling, pressing, forging, sintering, heat treatment

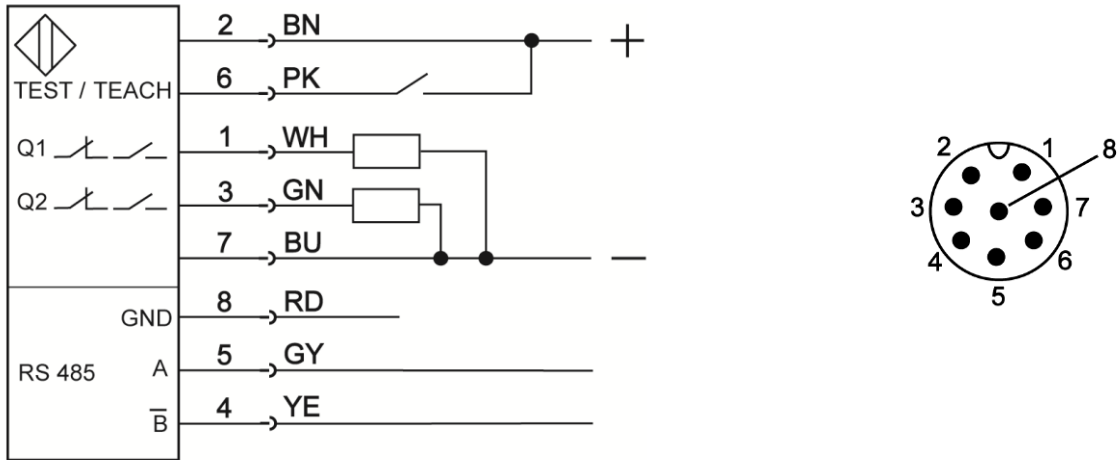
Technical Data

Response temperature parameterized	250 – 900 °C 250 – 600 °C in 50 K steps, 600 – 900 °C in 100 K steps, (factory setting = 450 °C)
Switching hysteresis	ca. 25 K
Test function (simulation of a hot object)	output Q1 and Q2 switching
Standard-function	Response temperature can be parameterized for each output
Teach-Function	Set point is teachable
Function input	Test function, factory setting, external teach, parameterization
Viewing angle	1°
Supply voltage	10 - 30 V DC
Ripple	max. 15 %
Current consumption	< 15 mA
Digital communication	RS 485 MODBUS RTU
Output	2 x PNP normally open / normally closed (can be parameterized)
Continuous current	0 - 400 mA
Short-circuit protection	yes, pulsing
Voltage drop	< 2,5 V
Response time / switching frequency	0,3 ms /1500 Hz
Ambient temperature	-10 ... +70 °C
Protection class	IP 67
Housing material	stainless steel
Functional display	Duo-LED red/green
Connection	plug S8 (M12 x 1 A) 8 pole
Weight	0,55 kg

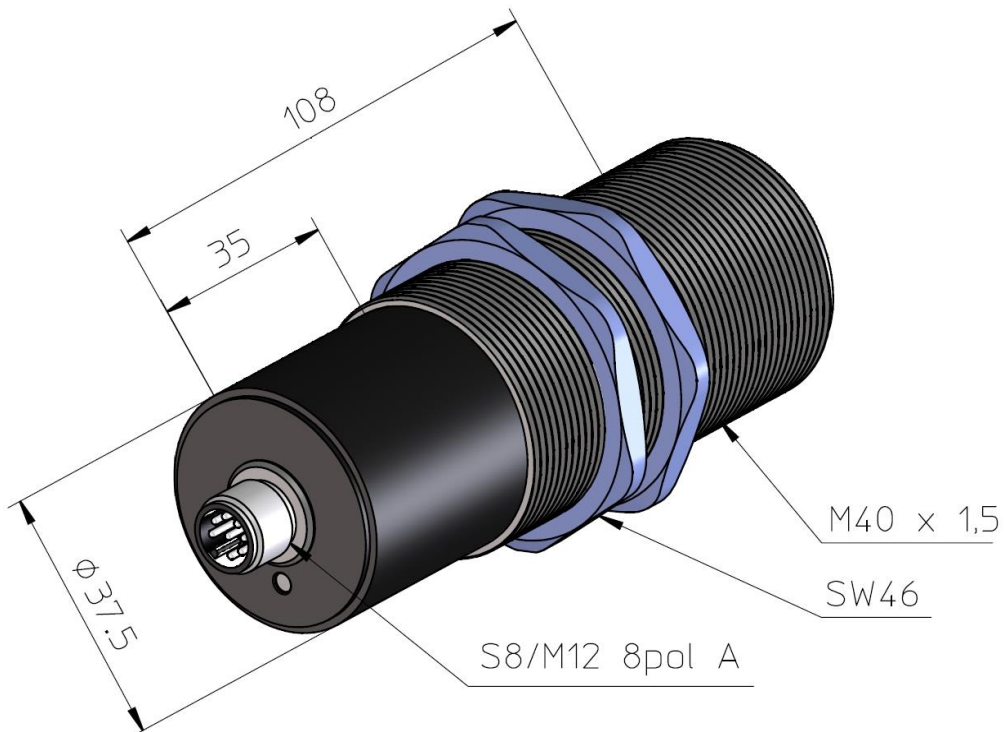
Optic



Connection



Dimension (mm)



Accessories (in scope of supply)

	Type	Art.-No.
SW 46 nut, M40 x 1.5, nickel-plated brass, 2 pieces	-	-

Accessories (not in scope of supply)

	Type	Art.-No.
Connection cable with female straight plug S8 (M12 x 1 A) 2 m PVC cable 8 x 0,34 mm ² up to 80 °C	ST S8-2	9850O
Connection cable with female straight plug S8 (M12 x 1 A) 5 m PVC cable 8 x 0,34 mm ² up to 80 °C	ST S8-5	9850N
Connection cable with female straight plug S8 (M12 x 1 A) 10 m PVC cable 8 x 0,34 mm ² up to 80 °C	St S8-10	9850S
Connection cable with female straight plug S8 (M12 x 1 A) 5 m PUR cable 8 x 0,25 mm ² up to 90 °C	ST S8-5PUR	9844W
Connection cable with female straight plug S8 (M12 x 1 A) 10 m PUR cable 8 x 0,25 mm ² up to 90 °C	ST S8-10PUR	9843D
Connection box for optical sensors with female plug S8 and RS485 interface	CBA 104	9859C
Mounting angle fixed	DAK 304	6913D
Mounting angle adjustable	DAK 305	6913E
Pilot light attachment for adjustment	DAK 308	6913G
Protection Tube Adapter	DAK 330	6913Y
Air-purge unit	DAK 303	6913C
Cooling jacket with air-purge unit	DAK 302	6913B
Interface converter RS485, female plug S4 (M12 x 1 A) 5-pole to USB (Incl. 24 V operating voltage for sensor)	SIC 485U	9861B
Adapter cable S8 (M12 x 1 A) female plug 8-pole to S4 (M12 x 1 A) plug 5-pole, 2 m cable (suitable for SIC 485U)	ST S8/4 S4/5-2	9851E

Further Information

	Document
Manual	BDA OXS D E