

- Temperature measuring of metals
- Measuring temperature range 150 - 1200 °C
- Parameterization with RS485 + software
- Output 0/4 – 20 mA



**Product Characteristics**

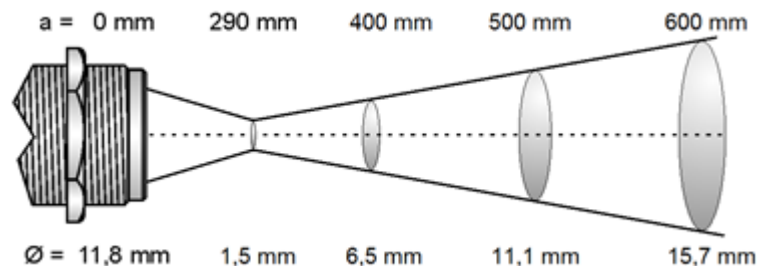
Type	OKS 2 GE12.194 S10
Art.-No.	6923A
Application	Non-contact temperature measurement of hot objects, temperature control, hot rolling, pressing, forging, sintering, heat treatment

**Technical Data**

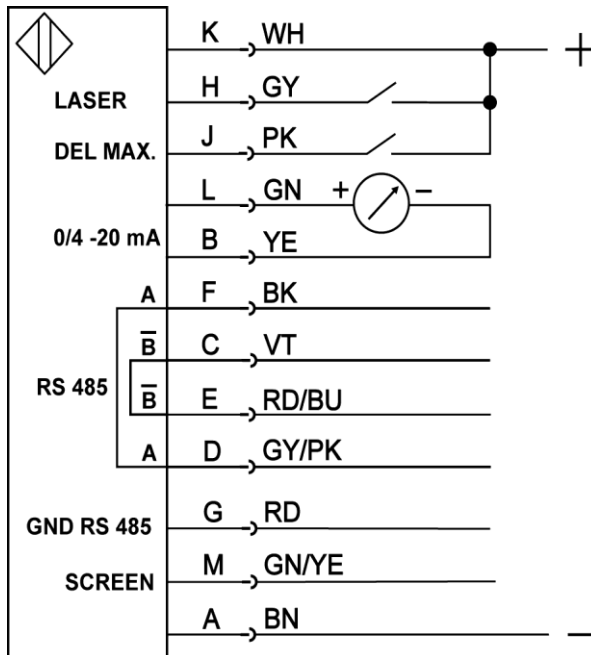
Measuring temperature range	150 - 1200 °C
Spectral range	2,0 – 2,6 µm
Output	0/4 – 20 mA
Measuring failure	0,5 %, +2 K
Response time t95% min / max.	5 ms / 100 sec.
Emissivity adjustable	0,05 ... 1,00
Integrated Laser pilot light (Switchable if needed, Laser class II)	yes
Integrated maximum and minimum data storage	yes
Service Interface	RS485, Modbus RTU
Load impedance	< 500 Ohm (24 V)
Supply voltage stabilized	24 V DC +/-25%
Ripple voltage	< 50 mV
Power consumption	≤ 1,5 W
Power consumption pilot light	≤ 35 mA
Ambient temperature	0 bis +70 °C
Protection class	IP 65
Connection	plug S10
Supply voltage display	LED
Housing material	Stainless steel
Weight	

**Optic**

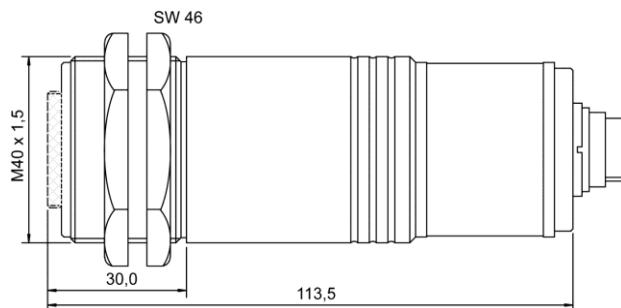
**Distance (a) / Measuring point diameter**



**Connection**



**Dimension (mm)**



**Accessories (not in scope of supply)**

	Type	Art.-No.
2 m Connection cable	ST S10/12-2	9847H
5 m Connection cable	ST S10/12-5	9847D
Interface converter RS485, plug Sub D 9-pole to USB (External power supply necessary)	SIC 485 UD	9861E
Mounting angle adjustable	DAK 305	6913E
Mounting angle fixed	DAK 304	6913D
Air-purge unit	DAK 303	6913C
Cooling jacket	DAK 302	6913B
Piros S Cable Protection Cape for cooling housing DAK 302	DAK 329	6913X
Piros S Protection Tube 100 mm length	DAK 319	6913L
Piros S Protection Tube 300 mm length	DAK 320	6913M

**Further information**

	Document
Manual	BDA OKS_GE_D_E