

bis +125 °C

Universal digital pyrometer for temperatures measuring from 350 to +1800 °C. The sensor head with remote electronic ensure reliable operation even under difficult conditions up to 125 °C ambient temperature.

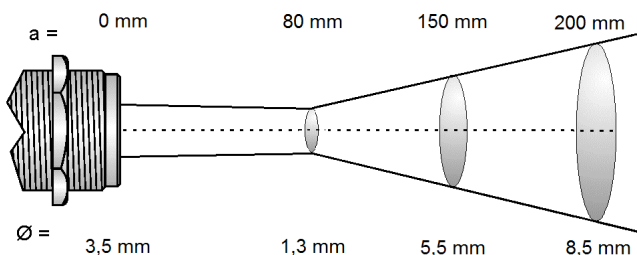
Analog  
0/4 - 20 mA  
RS 485

### Technical Data

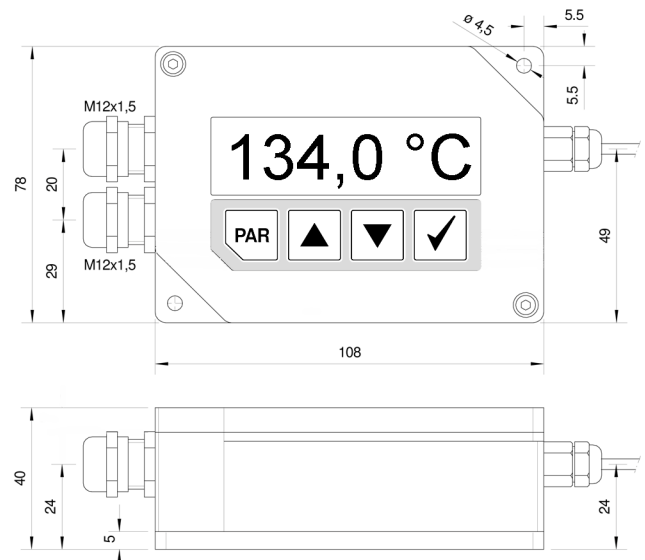
Type	OKSD 1 GA18.194 R	
Art.-No. Sensor with 2,5 m teflon cable	6922A	
Art.-No. Sensor with 5 m teflon cable	6922A-5	
Measuring temperature range*	350 - 1800 °C	
Spectral range	1,5 – 1,8 µm	
Output (switchable)*	0/4 – 20 mA	
Measuring failure	1 %	
Response time t95% min / max.*	10 ms / 100 s	
Detected surface at 80 mm	Ø 1,3 mm	
Emissivity*	0,05...1,00	
Switching output potential free	2 x relais	
Integrated laser pilot light	no	
MAX data storage*	yes	
Service Interface RS 485*	yes	
Load impedance	< 600 Ohm (24 V)	
Supply voltage stabilized	24 V DC +/- 25 %	
Power consumption	≤ 2 W	
Ambient temperature sensor head	0 to +125 °C	
evaluation electronic	0 to +70 °C	
Protection class	IP 65	
Connection evaluation electronic	terminal chamber	
display	display	
Housing material sensor head	stainless steel	
evaluation electronic	aluminium	
<b>Accessories</b> (not included in the scope of supply)	<b>Art.-No.</b>	
Mounting clamp for sensor head	6914G	
Air purge for sensor head	6913Z	
Interface converter RS485 / USB	6913T	

\*Sub range, Response time, Emissivity, Storage, Baudrate, Address and measuring modus (1-or 2 canal) are adjustable at the device as well as with the PC-Software over the RS 485 interface.

### Distance (a) / Measuring point diameter



### Evaluation electronic



### Sensor head

