

bis +125 °C

Universal digital pyrometer for temperatures measuring from -40 to +1000 °C. The sensor head with remote electronic ensure reliable operation even under difficult conditions up to 125 °C ambient temperature.

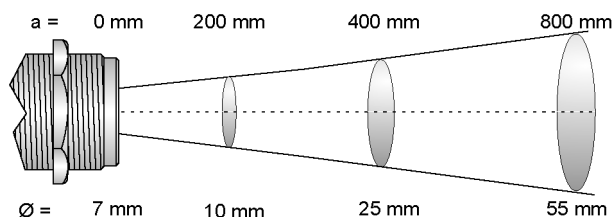
Analog
0/4 - 20 mA
RS 485

Technical Data

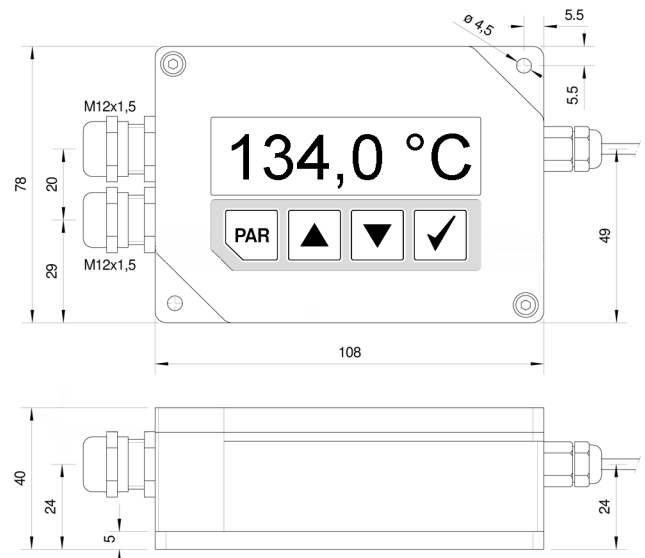
Type	OKSD T10.194 R
Art.-No. Sensor with 2,5 m teflon cable	6921A
Art.-No. Sensor with 5 m teflon cable	6921A-5
Art.-No. Sensor with 15 m teflon cable	6921A-15
Measuring temperature range*	-40 - 1000 °C
Spectral range	8 – 14 µm
Output (switchable)*	0/4 – 20 mA
Measuring failure	1 %
Response time t95% min / max.*	100 ms / 100 s
Detected surface at 400 mm	Ø 25 mm
Emissivity*	0,20...1,00
Switching output potential free	2 x relais
Integrated laser pilot light	no
MAX data storage*	yes
Service Interface RS 485*	yes
Load impedance	< 600 Ohm (24 V)
Supply voltage stabilized	24 V DC +/- 25 %
Power consumption	≤ 2 W
Ambient temperature sensor head	0 to +125 °C
evaluation electronic	0 to +70 °C
Protection class	IP 65
Connection evaluation electronic	terminal chamber
display	display
Housing material sensor head	stainless steel
evaluation electronic	aluminium
Accessories (not included in the scope of supply)	Art.-No.
Mounting clamp for sensor head	6914G
Air purge for sensor head	6913Z
Interface converter RS485 / USB	6913T

*Sub range, Response time, Emissivity, Storage, Baudrate, Address and measuring modus (1-or 2 canal) are adjustable at the device as well as with the PC-Software over the RS 485 interface.

Distance (a) / Measuring point diameter



Evaluation electronic



Sensor head

