

- Temperature measuring of metals
- Measuring temperature range 700 - 1800 °C
- Parameterization with RS485 + software
- Output 0/4 – 20 mA
- Emission level independent



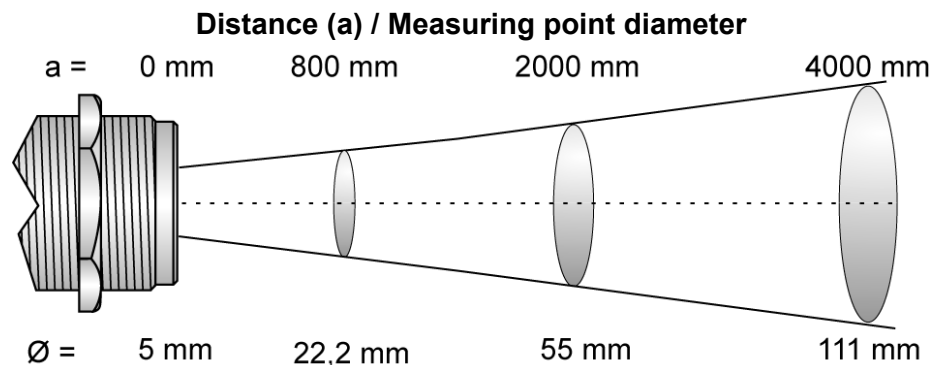
Product Characteristics

Type	OKS L Q18.194 S10
Art.-No.	6920Z
Application	Non-contact temperature measurement of hot objects, temperature control, hot rolling, pressing, forging, sintering, heat treatment

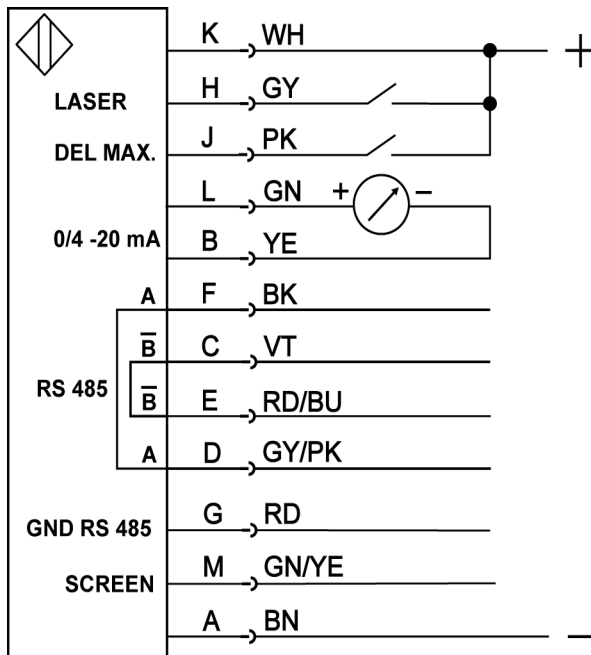
Technical Data

Measuring temperature range	700 - 1800 °C
Spectral range	0,7 – 1,1 µm
Output	0/4 – 20 mA
Measuring failure	0,5 %, of reading
Response time t95% min / max.	5 ms / 10 sec.
Emissivity adjustable	0,05 ... 1,00
Quotient correction	0,8 ... 1,2
Integrated Laser pilot light (Switchable if needed, laser class II)	yes
Integrated maximum and minimum data storage	yes
Service Interface	RS485, Modbus RTU
Load impedance	< 700 Ohm (24 V)
Supply voltage stabilized	24 V DC +/-25%
Power consumption	≤ 1,5 W
Power consumption pilot light	< 35 mA
Ambient temperature	0 bis +70 °C
Fibre optic cable and optic	up to 250 °C
Protection class	IP 65
Connection	plug S10
Supply voltage display	LED
Housing material	Stainless steel
Weight	0,56 kg

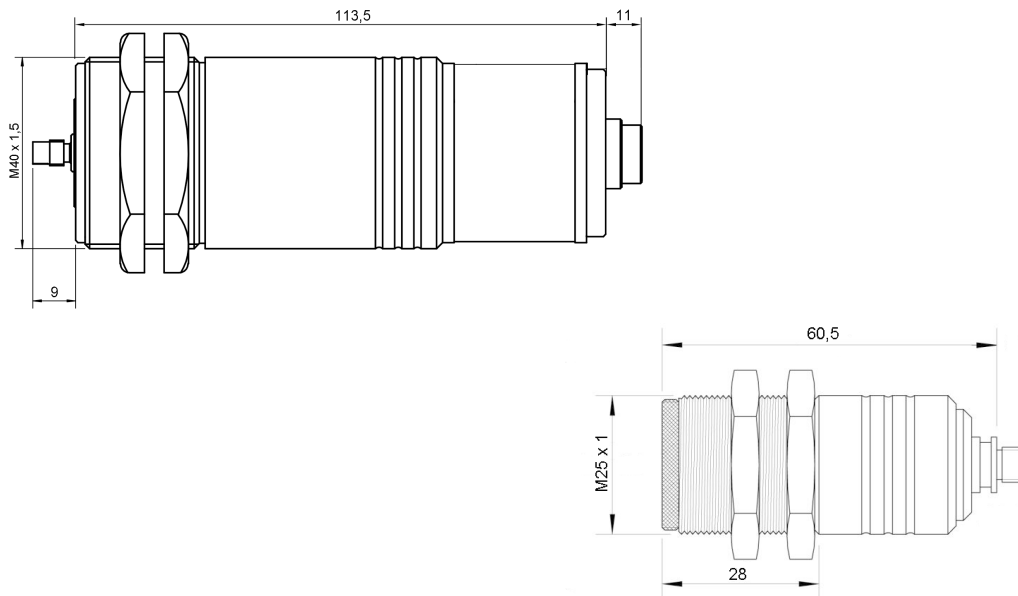
Optic



Connection



Dimension (mm)



Accessories (not in scope of supply)

	Type	Art.-No.
2 m Connection cable	ST S10/12-2	9847H
5 m Connection cable	ST S10/12-5	9847D
Interface converter RS485, plug Sub D 9-pole to USB (External power supply necessary)	SIC 485UD	9861E
Fibre optic cable 3m	LLKS 3	6913P
Fibre optic cable 6m	LLKS 6	6913U
Fibre optic cable 10m	LLKS 10	6914K
Optic	DAK 323	6913Q
Mounting unit for the optic	DAK 324	6913R
Mounting angle fixed	DAK 304	6913D
Air-purge unit for the optic	DAK 325	6913S

Further information

	Document
Manual	OKS L Q18.194 S10 D E