

- Range 2500 m adjustable
- Cooling water connection
- 3 switching outputs (can be parameterized)
- On and off delay
- Alarm function pollution, overtemperature
- Alignment aid with LED front and rear
- Parameterization with RS 485 + Software
- Modbus RTU
- Plug S8 (M12 x 1 A)
- G3/4" thread for protection hose connection



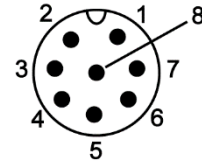
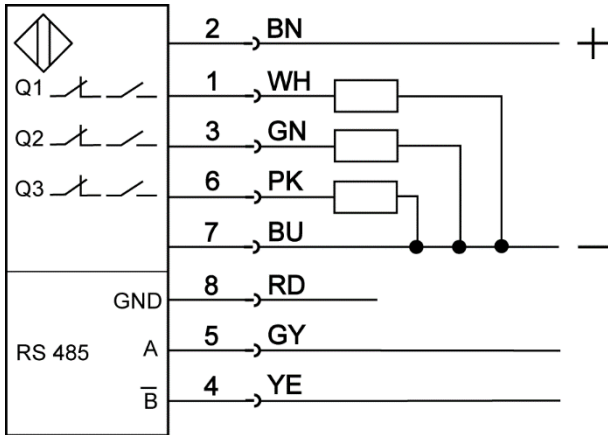
## Product Characteristics

Type	LXSB 600.3A GV S8
Connection	Art.-No.
Plug S8 (M12x1 A)	5061B
Suitable transmitter	LXAA 600, LXAB 600, LXAD 600
Application	Material detection of cold and hot objects

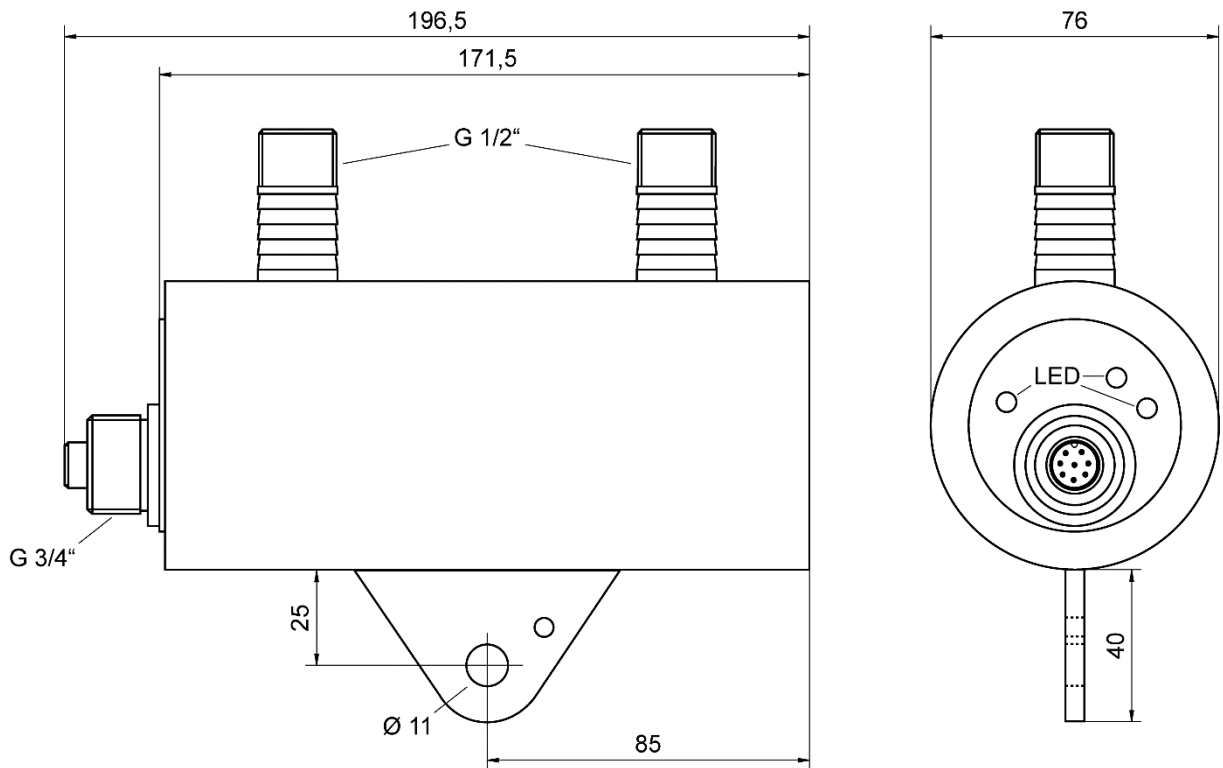
## Technical Data

Function	Receiver
Range adjustable	2500 m
Operation range adjustable	1500 m
Light type	invisible infrared light
Software functions	configuration of switching outputs, on/off delay, alarm function, alignment aid, status display, teach-in, internal temperature
Alarm function	pollution, overtemperature
Alignment aid	optical with LED at the front and back side, software
Supply voltage	12 - 55 V DC
Ripple	max. 15 %
Current consumption	< 15 mA (< 50 mA when the alignment aid is activated)
Digital communication	RS-485 MODBUS RTU
Output 1 (object / overtemperature)	PNP normally open / normally closed (can be parameterized)
Output 2 (object / overtemperature)	PNP normally open / normally closed (can be parameterized)
Output 3 (object / overtemperature / pollution)	PNP normally open / normally closed (can be parameterized)
On / off delay adjustable	0 – 60000 ms
Continuous current	0 - 400 mA
Short-circuit protection	yes, pulsing
Voltage drop	< 2,5 V
Readiness delay	≤ 50 ms
Response time / switching frequency	≤ 10 ms / 1000 Hz
Ambient temperature	-25 ... +70 °C without cooling, up to 200 °C with cooling
Cooling water	~3l/min., 5 bar max. (max. 25 °C)
Protection class	IP 67
Housing material	stainless steel
Functional display	LED

**Connection**



**Dimension (mm)**



**Accessories** (in scope of supply)

	Type	Art.-No.
-	-	-

**Accessories** (not in scope of supply)

	Type	Art.-No.
Connection cable 2 m, 8 wire, with straight female plug S8 (M12 x 1 A)	ST S8-2	9850O
Connection cable 5 m, 8 wire, with straight female plug S8 (M12 x 1 A)	ST S8-5	9850N
Connection cable 10 m, 8 wire, with straight female plug S8 (M12 x 1 A)	ST S8-10	9850S
Swivel stand	HM 2	9816B
Adapter 3/4" to M20 for protection hose connection (suitable protection hoses available)	HG 2	9855B
Pilot light attachment for adjustment	DAK 308	6913G
Adapter for Pilot light attachment DAK 308	OL 27	9828I
Tubus	OL 21	9828C
Air purge attachment	OL 35	9828R
Tube for air purge attachment OL 35	OL 36	9828S
Protection tube 100 mm for air purge attachment OL 35	OL 37	9828T
<b>Interface converter for parameterization</b>		
Interface converter RS485, female plug S4 (M12 x 1 A) 5-wire to USB (Internal 24 V power supply for sensor)	SIC 485U	9861B
Power supply 90-260 V AC, 24 V DC / 1 A (for SIC 485U)	PPS 2	9853B
Adapter cable S8 (M12 x 1 A) female plug 8-pole to S4 (M12 x 1 A) plug 5-pole, 2 m cable (suitable for SIC 485U)	ST S8/4 S4/5-2	9851E
Interface converter RS485, plug Sub D 9-pole to USB (External power supply necessary)	SIC 485UD	9861E

**Further information**

	Document
Protection hoses	P46E
Manual	BDA_LX600_Einweg_D_E