

- Range 2500 m adjustable
- Cooling water connection
- Test function for simulation of object detection
- Plug S4 (M12 x 1 A)
- G3/4" thread for protection hose connection



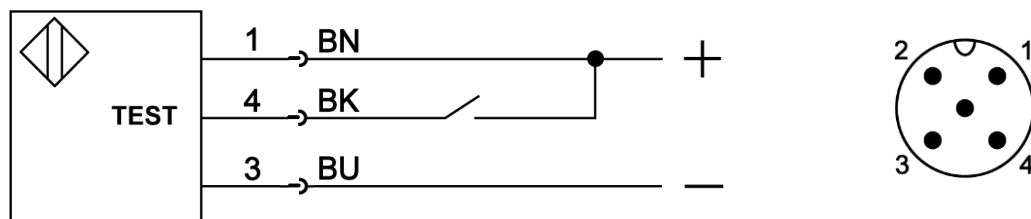
Product Characteristics

Type	LAB 600.3 S4
Art.-No.	5037J
Suitable receivers	LSA 600, LSB 600, LSD 600, LSA 667
Application	Material detection of cold and hot objects

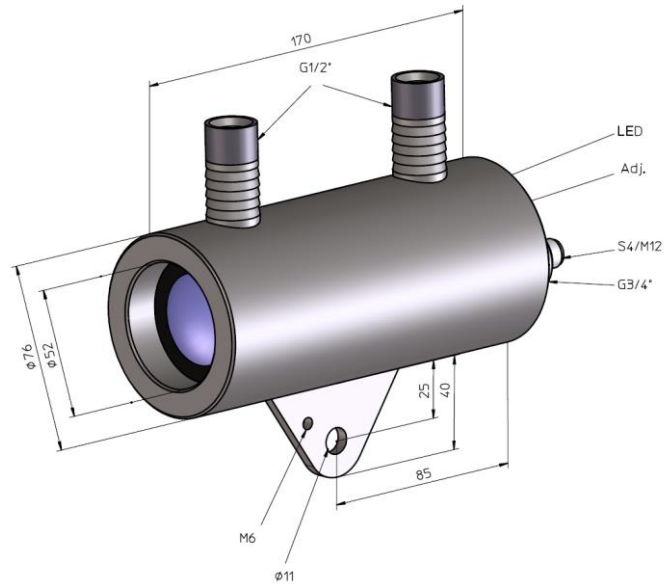
Technical Data

Function	Transmitter
Range adjustable	2500 m
Operation range adjustable	1500 m
Adjustable	yes
Supply voltage	10 - 55 V DC
Ripple	max. 15 %
Test function	yes
Current consumption	ca. 30 mA
Ambient temperature	-20 ... +70 °C without cooling up to 200 °C with cooling
Cooling water	~3l/min., 5 bar max. (max. 25 °C)
Protection class	IP 67
Housing material	stainless steel 1.4301
Functional display	LED
Connection	plug S4 (M12 x 1 A) with G3/4" protective hose thread
Weight	2,1 kg

Connection



Dimension (mm)



Accessories (not in scope of supply)

	Type	Art.-No.
Connection cable with female straight plug S4 (M12 x 1 A) 2 m PP cable 3 x 0,34 mm ² up to 105 °C	ST 043/3-2 H	9850P
Connection cable with female straight plug S4 (M12 x 1 A) 5 m PP cable 3 x 0,34 mm ² up to 105 °C	ST 043/3-5 H	9850Q
Connection cable with female straight plug S4 (M12 x 1 A) 10 m PP cable 3 x 0,34 mm ² up to 105 °C	ST043/3-10H	9850W
Swivel stand	HM 2	9816B
Adapter for protection hose connection (suitable protection hoses available)	HG 2	9855B
Pilot light attachment for adjustment	DAK 308	6913G
Adapter for Pilot light attachment	OL 27	9828I
Tubus	OL 21	9828C
Air purge attachment	OL 35	9828R
Tube for Air purge attachment	OL 36	9828S
Protection tube 100 mm for air purge attachment	OL 37	9828T

Further information

	Document
Manual	BDA_Einweg600_D_E
Protection hoses	P46E