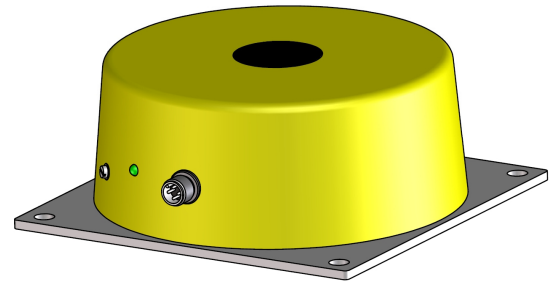


- Plastic housing Ø 163 mm with Aluminum mounting plate•
Rated operating distance (S_n) 125 mm
- Adjustable sensing distance
- Output PNP normally open + normally closed



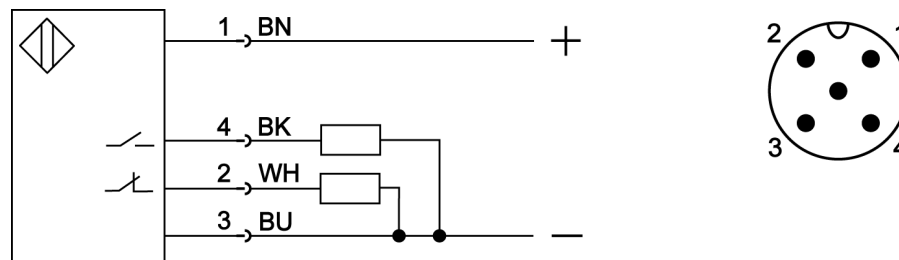
Product Characteristics

Type	IKOH 125.38 G S4
Art.-No.	2033H
Application	Non-contact detection of metallic objects

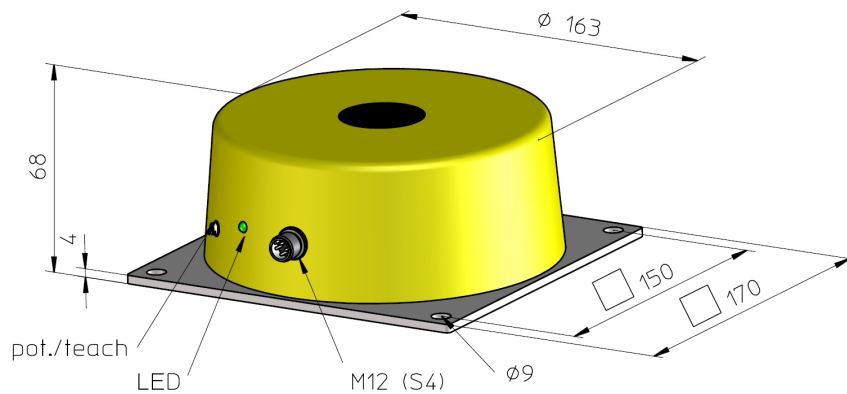
Technical Data

Rated operating distance (S_n)	125 mm
Target steel St37, 1 mm thick	375 x 375 mm
Operating distance adjustable	yes
Switching hysteresis (H)	1 - 15 %
Location at metal	non flush
Supply voltage (U_B)	10 - 55 V DC
Ripple voltage	max. 15 %
Output	PNP normally open PNP normally closed
Continuous current	0 - 400 mA
Short-circuit protection	yes, pulsing
No-load current (I_0)	< 10 mA
Voltage drop (U_d)	< 2 V
Operating frequency (f)	30 Hz
Ambient temperature	-25 ... +80 °C
Protection class	IP 67
Connection	plug S4 (M12 x 1 A)
Housing material	plastic PBT with Aluminum mounting plate
Functional display	LED
Weight	2,5 kg

Connection



Dimension (mm)



Accessories (in scope of supply)

	Type	Art.-No.
-	-	-

Accessories (not in scope of supply)

	Type	Art.-No.
Female angle plug S4 (M12 x 1 A) attachable cable 4 x 0.75 mm ²	ST 040	9841A
Female straight plug S4 (M12 x 1 A) attachable cable 4 x 0.75 mm ²	ST 040G	9842D
Connection cable with female angled plug S4 (M12 x 1 A) 2 m PVC cable 4 x 0,25 mm ²	ST 041/4-2	9841D
Connection cable with female angled plug S4 (M12 x 1 A) 5 m PVC cable 4 x 0,25 mm ²	ST 041/4-5	9841E
Connection cable with female straight plug S4 (M12 x 1 A) 5 m PVC cable 4 x 0,25 mm ²	ST 043/4-5	9841T

Further information

	Document
Operating manual	BDA_IK_D_E