

- Plastic housing 80 x 80 mm
- Rated operating distance ( $S_n$ ) 80 mm
- ProxiPlus technology for higher operating distance
- Optimal detection of small objects
- AC/DC 2 wire normally open



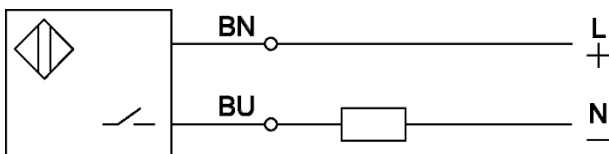
### Product Characteristics

<b>Type</b>	<b>IPK 080.05 G</b>
<b>Connection</b>	<b>Art.-No.</b>
2 m PVC cable	2503B
5 m PVC cable	2503B-5
10 m PVC cable	2503B-10
15 m PVC cable	2503B-15
20 m PVC cable	2503B-20
Application	Non-contact detection of metallic objects

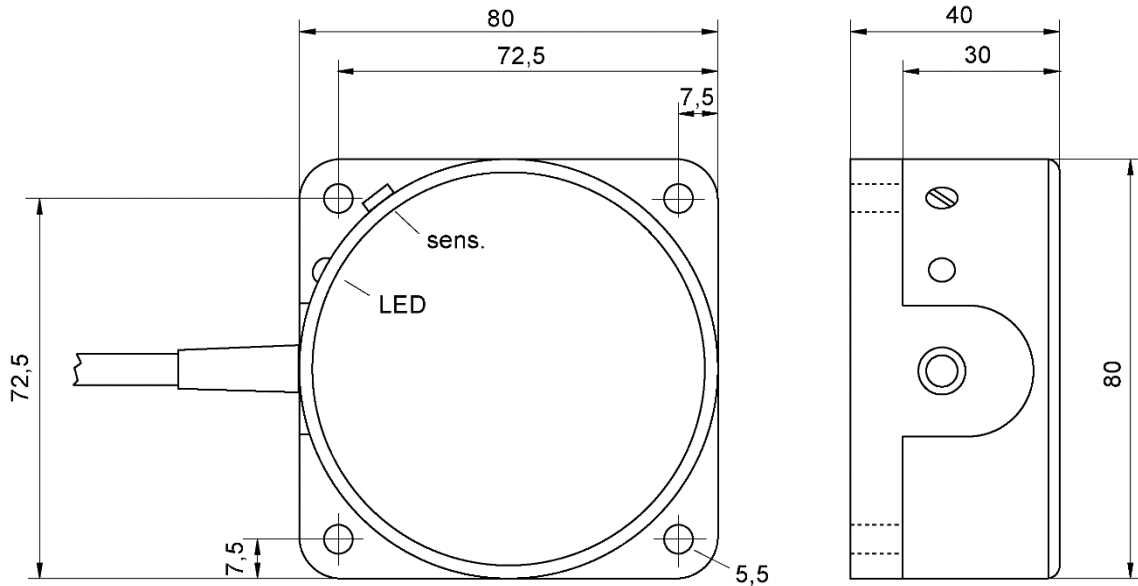
### Technical Data

Rated operating distance ( $S_n$ )	80 mm
Target steel St37, 1 mm thick	240 x 240 mm
Operating distance adjustable	yes
Switching hysteresis (H)	1 - 15 %
Location at metal	non flush
Supply voltage ( $U_B$ )	20 - 260 V AC/DC
Power frequency	40 - 440 Hz
Ripple voltage	max. 15 % (DC)
Output	normally open
Continuous current	5 - 400 mA
Short-circuit protection	yes, pulsing
Residual current ( $I_r$ )	1,7 mA / 260 V AC 1,0 mA / 24 V DC
Voltage drop ( $U_d$ )	< 9 V
Operating frequency (f)	25 Hz (AC) / 75 Hz (DC)
Ambient temperature	-25 ... +70 °C
Protection class	IP 67
Housing material	plastic
Functional display	LED

### Connection



**Dimension (mm)**



**Accessories (in scope of supply)**

Type	Art.-No.
-	-

**Accessories (not in scope of supply)**

Type	Art.-No.
-	-

**Further information**

Document
Operating manual
BDA_IK_D_E