

- Sensor surface 200 x 150 mm
- Rated operating distance (S_n) 120 mm
- Easy adjustment with Proxi-Teach
- PNP normally open + normally closed
- Plug S4 (M12)



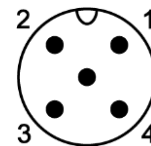
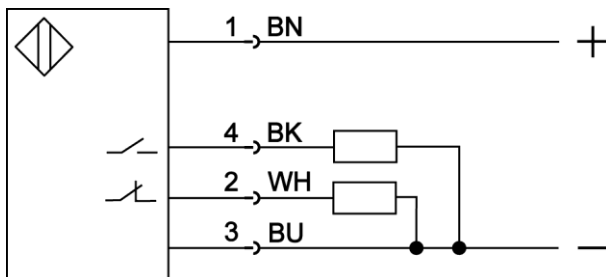
Product Characteristics

Type	IKU 215T.38 G S4
Connection	Art.-No.
Plug S4 (M12x1 A)	2365L
Application	Non-contact detection of metallic objects on conveyors

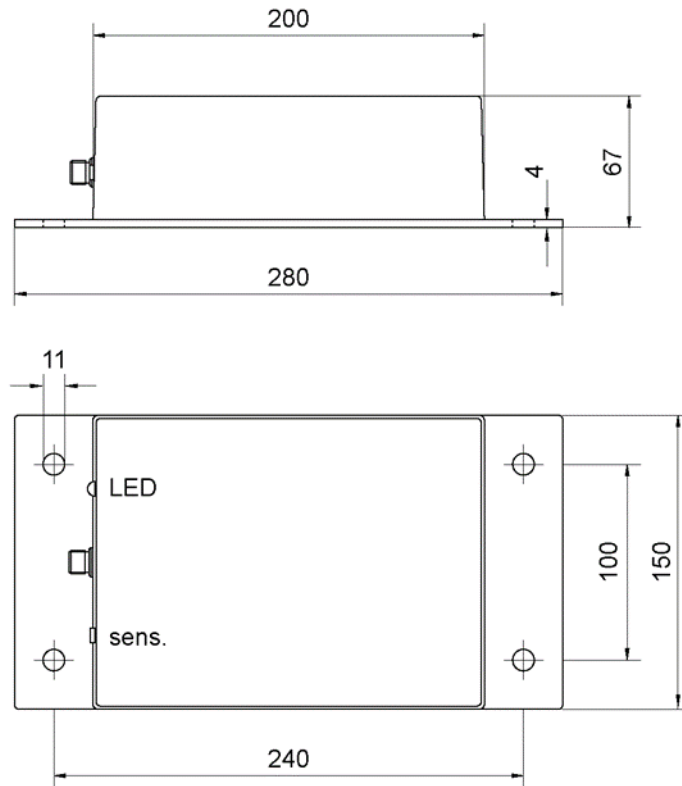
Technical Data

Rated operating distance (S_n)	120 mm
Target steel St37, 1 mm thick	280 x 150 mm
Operating distance adjustable	Teach-In*
Switching hysteresis (H)	1 - 15 %
Location at metal	non flush
Supply voltage (U_B)	10 - 55 V DC
Ripple voltage	max. 15 %
Output	PNP normally open + normally closed
Continuous current	0 - 400 mA
Short-circuit protection	yes, pulsing
No-load current (I_0)	< 10 mA
Voltage drop (U_d)	< 2 V
Operating frequency (f)	25 Hz
Ambient temperature	-25 ... +70 °C
Protection class	IP 67 (with screwed on plug and adjuster protection screw)
Housing material	plastic / aluminum
Functional display	LED

Connection



Dimension (mm)



Accessories (in scope of supply)

	Type	Art.-No.
-	-	-

Accessories (not in scope of supply)

	Type	Art.-No.
Female plug S4 (M12 x 1 A), straight, can be assembled, 4 wire	ST040G	9842D
Female plug S4 (M12 x 1 A), angular, can be assembled, 4 wire	ST040	9841A
Connection cable 2 m, 4 wire, with straight female plug S4 (M12 x 1 A)	ST043/4-2	9851I
Connection cable 5 m, 4 wire, with straight female plug S4 (M12 x 1 A)	ST043/4-5	9841T
Connection cable 10 m, 4 wire, with straight female plug S4 (M12 x 1 A)	ST043/4-10	9850J
Connection cable 2 m, 4 wire, with angular female plug S4 (M12 x 1 A)	ST041/4-2	9841D
Connection cable 5 m, 4 wire, with angular female plug S4 (M12 x 1 A)	ST041/4-5	9841E
Connection cable 10 m, 4 wire, with angular female plug S4 (M12 x 1 A)	ST041/4-10	9841S

Further information

	Document
Manual	BDA_IK_D_E

*Proximity switches with Proxi-Teach recognize the existing installation conditions after one key is pressed and adjust the operating distance optimally. This enables safety operation under non-standard installation conditions. The effort upon startup is minimized.