

- Monitoring range 3 – 16 m/s
- Teach-In function
- PNP normally open + normally closed
- PTFE housing Ø 20 mm
- Resistant to aggressive media e.g. acid vapors
- Plug S4 (M12 x 1 A)



Product Characteristics

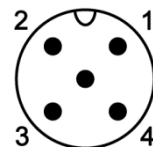
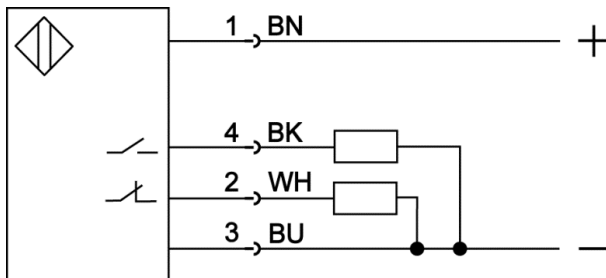
Type	FKMT 241.18 G S4
Connection	Art.-No.
Plug S4 (M12x1 A)	8049A
Application	Monitoring of air and gaseous flows

Technical Data

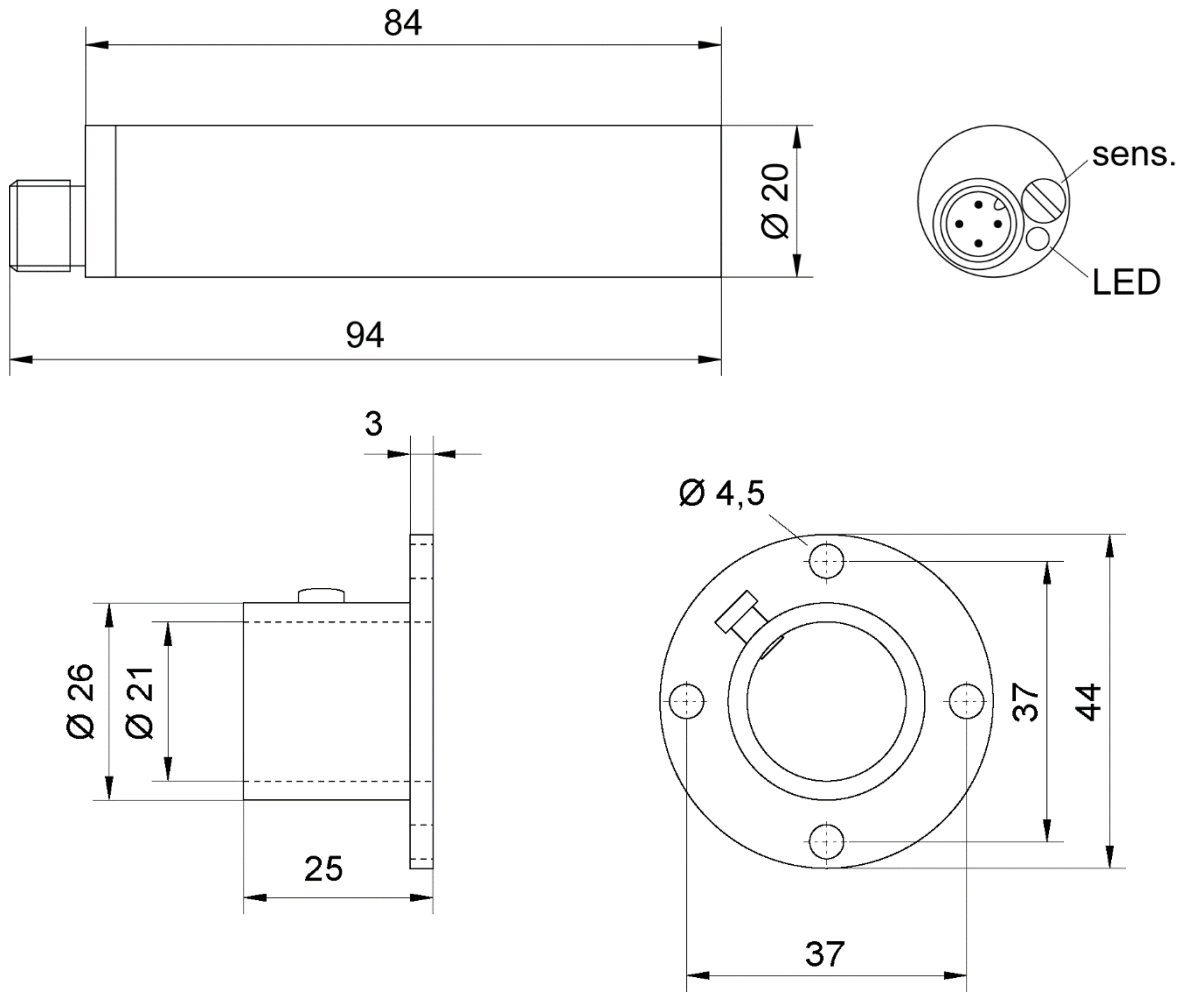
Monitoring range	3 - 16 m/s*
Switching point adjustable	yes (with teach-in to 50% of the existing flow velocity)
Factory setting	3 m/s
Switching hysteresis	0,8 – 1 m/s
Response time	2 - 15 s
Starting time	30 s
Supply voltage	24 V DC ± 15%
Output	PNP normally open + normally closed *
Continuous current	0 - 200 mA
Short-circuit protection	yes
Voltage drop (U _d)	< 2 V
Power absorption	max. 60 mA
Ambient temperature	-10 ... +60 °C
Protection class	IP 67
Housing material	PTFE / connection side PBT
Functional display	Duo-LED red/green

*Flow velocities >16 m/s are interpreted by the sensor as 16 m/s.

Connection



Dimension (mm)



mounting flange HF1T

Accessories (in scope of supply)

	Type	Art.-No.
Mounting flange	HF1T	9825D

Accessories (not in scope of supply)

	Type	Art.-No.
Female plug S4 (M12 x 1 A), straight, can be assembled, 4 wire	ST040G	9842D
Female plug S4 (M12 x 1 A), angular, can be assembled, 4 wire	ST040	9841A
Connection cable 2 m, 4 wire, with straight female plug S4 (M12 x 1 A)	ST043/4-2	9851I
Connection cable 5 m, 4 wire, with straight female plug S4 (M12 x 1 A)	ST043/4-5	9841T
Connection cable 10 m, 4 wire, with straight female plug S4 (M12 x 1 A)	ST043/4-10	9850J
Connection cable 2 m, 4 wire, with angular female plug S4 (M12 x 1 A)	ST041/4-2	9841D
Connection cable 5 m, 4 wire, with angular female plug S4 (M12 x 1 A)	ST041/4-5	9841E
Connection cable 10 m, 4 wire, with angular female plug S4 (M12 x 1 A)	ST041/4-10	9841S
Mounting gland M32 for pressure-resistant mounting	HF2	9826A

Further information

	Document
Manual	008F

*If the flow falls under the adjusted switching point, the normally open output opens and the normally closed output is closed.