

- For sensor DKU/IKU 010, 011, 015, 021, 031 and DLU 001
- Stainless steel
- Can be combined with HM7



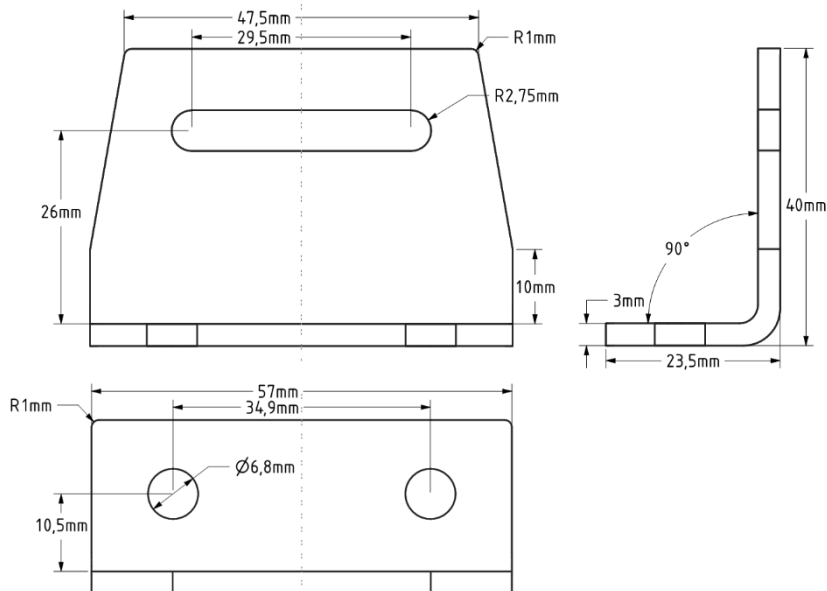
**Product Characteristics**

Type	HM9
Art.-No.	9816I
Application	In combination with HM7 for mounting can sensors on canning lines

**Technical Data**

Material	stainless steel
----------	-----------------

**Dimension (mm)**



**Accessories** (in scope of supply)

	Type	Art.-No.
Nut M5, stainless steel (2 pieces)	-	-

**Accessories** (not in scope of supply)

	Type	Art.-No.
Mounting bracket for can line	HM7	9816G

**Further Information**

	Document
-	-

**Installation Examples**