

- For optical sensors
- Stainless steel
- Rotatable, tiltable



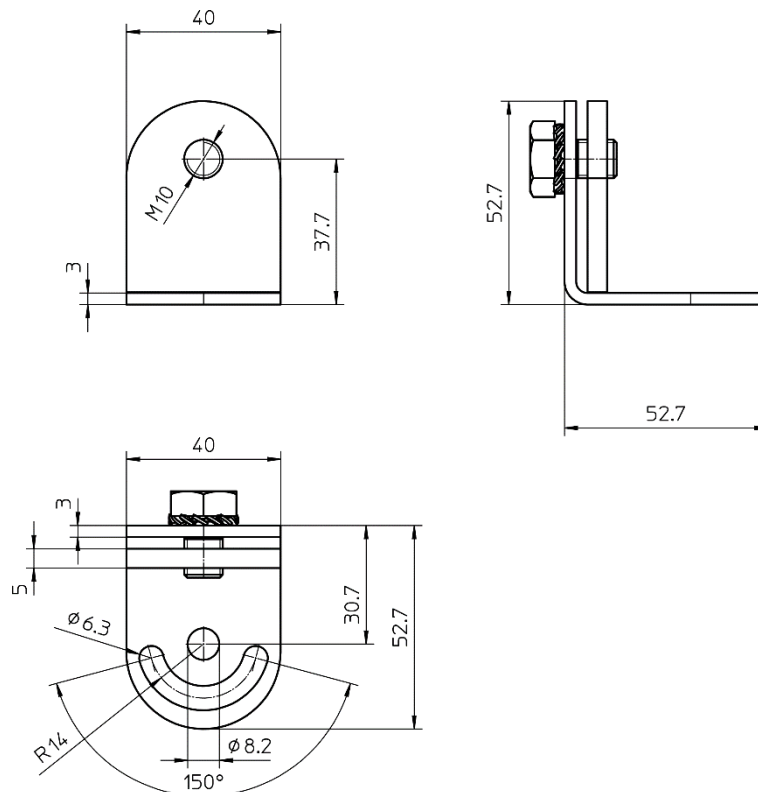
**Product Characteristics**

Type	HM4
Art.-No.	9816D
Application	Mounting of optical sensors

**Technical Data**

Material	stainless steel
----------	-----------------

**Dimension (mm)**



**Accessories** (in scope of supply)

	Type	Art.-No.
-	-	-

**Accessories** (not in scope of supply)

	Type	Art.-No.
-	-	-

**Further Information**

	Document
-	-

**Installation Examples**

