

- For LASER retro reflective sensors
- Ambient temperature up to 100 °C

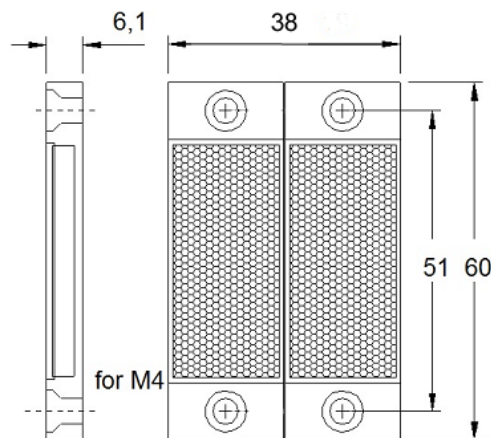
**Product Characteristics**

Type	ORL 02
Art.-No.	9818P
Application	For LASER retro reflective sensors

**Technical Data**

Ambient temperature	-10 ... +100 °C
Material	plastic

**Dimension (mm)**



**Accessories (in scope of supply)**

Type	Art.-No.
-	-

**Accessories (not in scope of supply)**

Type	Art.-No.
-	-

**Further information**

Document
-