

- For sensor \varnothing 34 mm
- Material PA
- incl. mounting screws
- Ambient temperature up to 120 °C



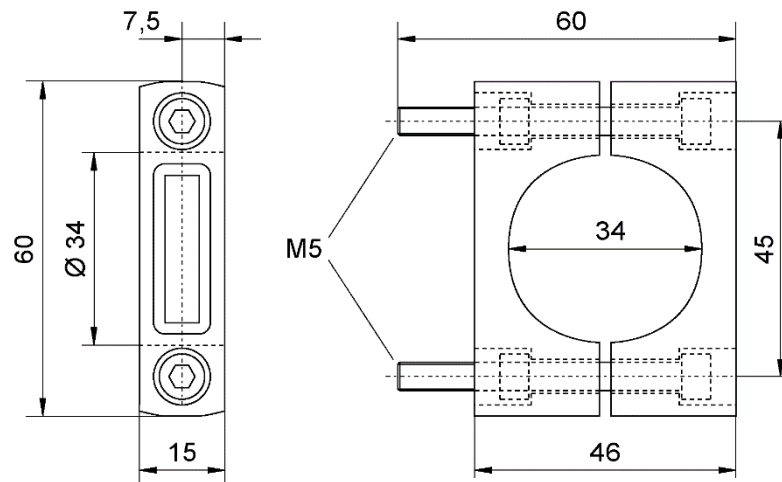
Product Characteristics

Type	HH1
Art.-No.	9823A
Application	Mounting of sensors with smooth cylindrical housing \varnothing 34 mm

Technical Data

Hole Diameter	34 mm
Tightening torque	4 Nm
Material	Plastic PA
Ambient temperature	-30 ... +120 °C

Dimension (mm)



Accessories (in scope of supply)

	Type	Art.-No.
Fastening screw hexagonal socket head cap M5 x 50, zinc plated steel (2 pieces)	-	-
Lock washer (2 pieces)	-	-
Nut M5, zinc plated (2 pieces)	-	-

Accessories (not in scope of supply)

	Type	Art.-No.
-	-	-

Further information

Document

-

-