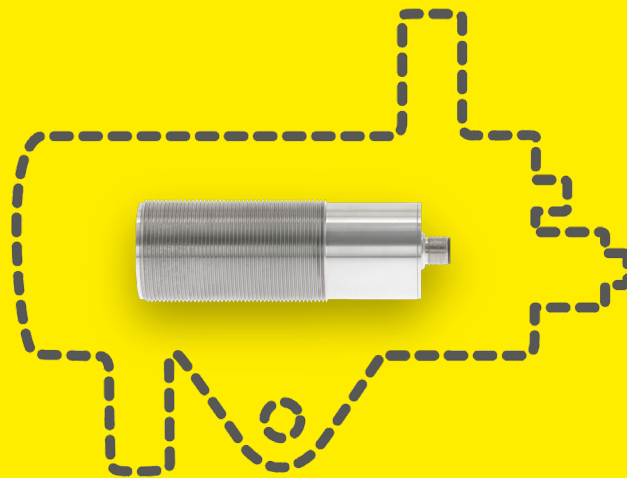


# Infrared Sensors (HMD) Mini

Detection of Hot Material

For hot forging and metalworking industry

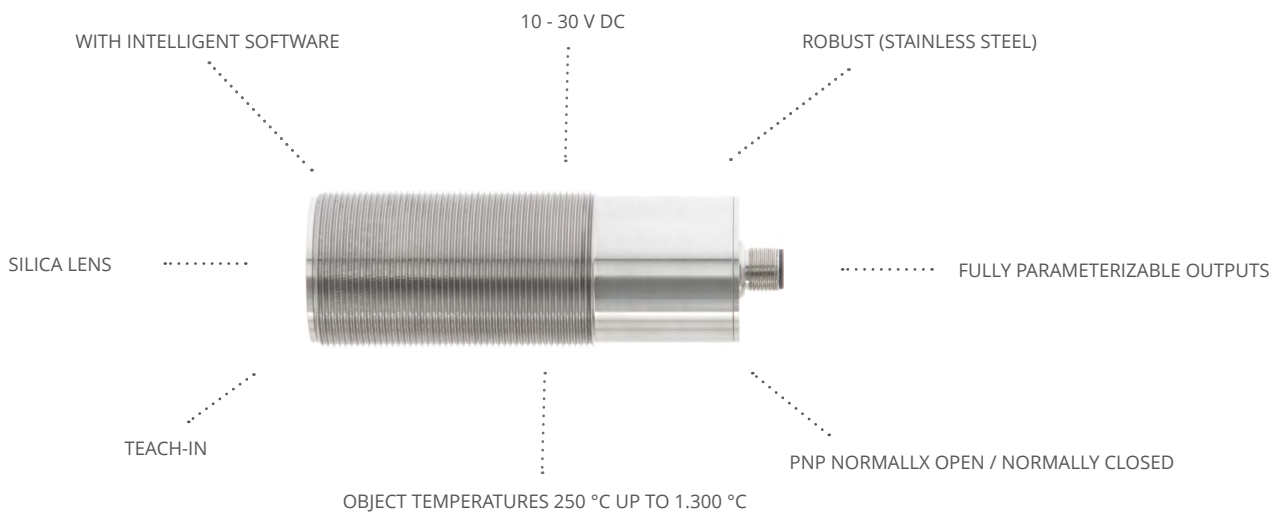


# Infrared-Sensoren (HMD) Mini

## High performance in an extra small housing

Proxitron infrared temperature switches have always been extremely robust, wear resistant and maintenance-free and specially constructed for the application in rough conditions. These features are all included in the new Hot Metal Detector (HMD) mini as well. The robust and small stainless steel housing makes it an all-rounder for many applications. The infrared temperature switch HMD mini convinces with its smart software, two parameterizable outputs and more functions. Among these, its comfortable Teach-In function, just to mention one example. This function recognizes the temperature of an object and adjusts the optimal switching point automatically. A wide range of accessory allows the adaption of different kind of applications.

- Detection of hot objects
- Material tracking on roller conveyors
- Feeding and ejection control in hot forging
- Small and robust stainless steel housing M40
- Response temperature from 250 °C up to 900 °C
- Object temperature from 250 °C up to 1.300 °C
- Comfortable Teach-In function
- Robust silica lens
- Easy parameterization via software
- Two freely parameterizable outputs
- Maintenance free, low investment costs
- Bus compatible (MODBUS RTU)
- Ambient temperatures -10 °C up to 70 °C
- Wide range of accessories for mounting, cooling, alignment and protection against dirt and debris



Response temperature	<b>250 - 900 °C</b>
Viewing angle 1° Type	<b>OXS 102T.2A G S8</b>
Viewing angle 1° Type	<b>OXS 402T.2A G S8</b>
Adjustment	software or Teach-In
Standard functions	two separate temperature settings
Additional functions	teach, test
Digital interface	RS-485 (MODBUS RTU)
Housing [mm]	M40 x 108
Housing material	stainless steel
Ambient temperature	70 °C

Viewing angle	Measurement distance a [m]	1	2	3	4	5
1°	Spot diameter M [mm]	20	40	60	80	100
4°	Spot diameter M [mm]	70	140	210	280	350

Accessory	Mounting bracket	Connection cable	Cooling jacket	Air purge unit	Laser pointer
Type	<b>DAK 304</b>	<b>ST S8-2</b>	<b>DAK 302</b>	<b>DAK 303</b>	<b>DAK 308</b>
Description	one-side mounting bracket	length 2 m	incl. air blow	air blow unit M40	laser light
Type	<b>DAK 305</b>	<b>ST S8-5</b>			
Description	mounting bracket adjustable	length 5 m			