

- Sensor surface 150 x 35 mm
- Can motion and jam detection
- Aluminum or tinplate cans
- Switch-on / switch-off delay, adjustable
- PNP normally open + normally closed
- Plug S4 (M12x1 A)



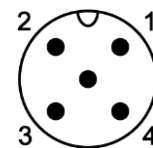
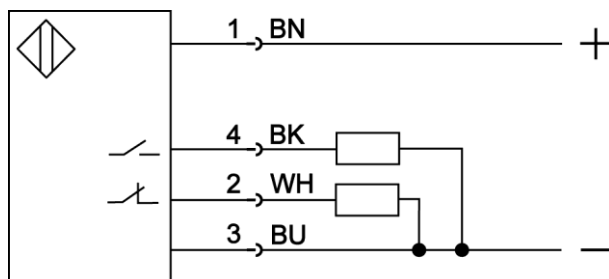
Product Characteristics

Type	DLU 001.28 G S4
Connection	Art.-No.
Plug S4 (M12x1 A)	2408I
Application	detection of can motion and jam on conveyor belts

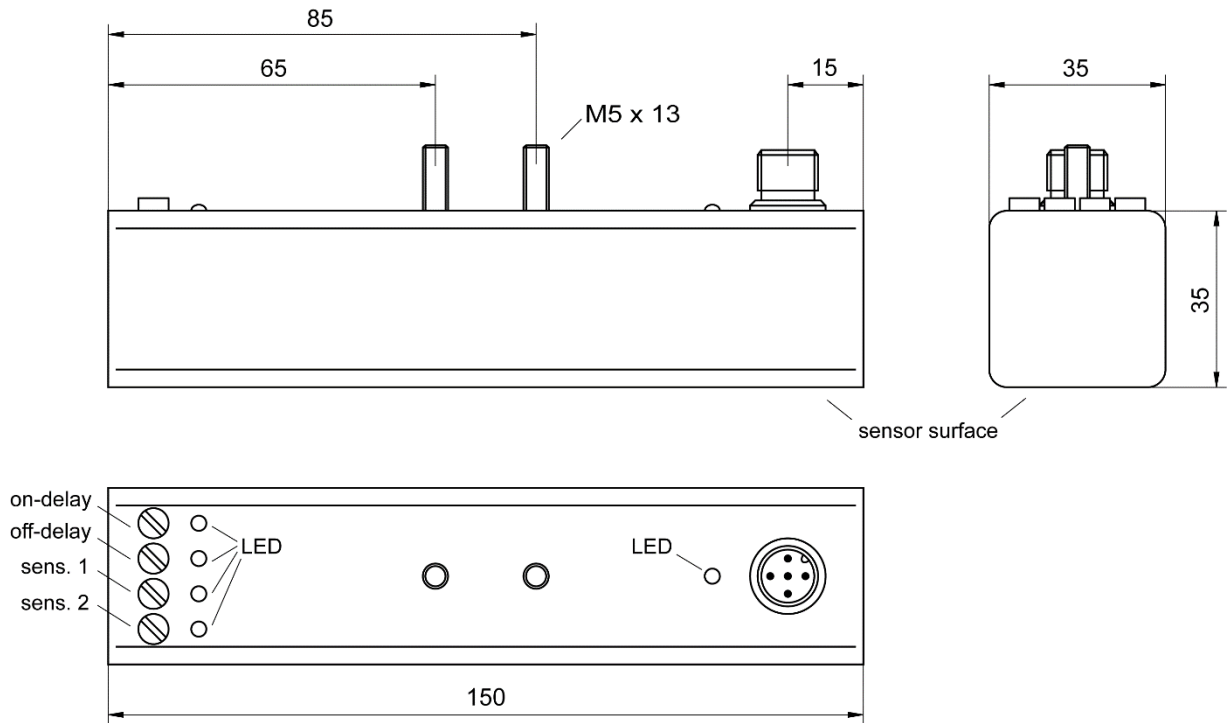
Technical Data

Recommended can distance	0,5 - 5 mm
Can size / material	Ø 53 - 86 mm / aluminum and steel cans
Cans type adjustable	yes
Location at metal	non flush
Supply voltage (U _B)	10 - 30 V DC
Ripple voltage	max. 15 %
Output	PNP normally open + normally closed
Switch-on / switch-off delay, adjustable	0 – 10 s
Continuous current	0 - 400 mA
Short-circuit protection	yes, pulsing
No-load current (I ₀)	< 10 mA
Voltage drop (U _d)	< 2 V
Ambient temperature	-25 ... +60 °C
Protection class	IP 65
Housing material	plastic
Functional display	LED

Connection



Dimension (mm)



Accessories (in scope of supply)

	Type	Art.-No.
-	-	-

Accessories (not in scope of supply)

	Type	Art.-No.
Mounting bracket	HM 9	9816I
Mounting bracket for can line installation with HM 9	HM 7	9816G
Female plug S4 (M12 x 1 A), straight, can be assembled, 4 wire	ST040G	9842D
Female plug S4 (M12 x 1 A), angular, can be assembled, 4 wire	ST040	9841A
Connection cable 2 m, 4 wire, with straight female plug S4 (M12 x 1 A)	ST043/4-2	9851I
Connection cable 5 m, 4 wire, with straight female plug S4 (M12 x 1 A)	ST043/4-5	9841T
Connection cable 10 m, 4 wire, with straight female plug S4 (M12 x 1 A)	ST043/4-10	9850J
Connection cable 2 m, 4 wire, with angular female plug S4 (M12 x 1 A)	ST041/4-2	9841D
Connection cable 5 m, 4 wire, with angular female plug S4 (M12 x 1 A)	ST041/4-5	9841E
Connection cable 10 m, 4 wire, with angular female plug S4 (M12 x 1 A)	ST041/4-10	9841S

Further information

	Document
Manual	BDA_DLU_D_E