

- Plastic housing  $\varnothing$  95 mm
- Rated operating distance ( $S_n$ ) 70 mm
- Mounting with central plastic screw
- Sensor protection by shearing off the mounting screw
- PNP normally open



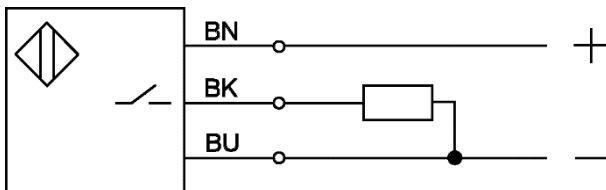
### Product Characteristics

|                   |   |
|-------------------|---|
| <b>Type</b>       | <b>IKM 070.33 G</b>                       |
| <b>Connection</b> | <b>Art.-No.</b>                           |
| 2 m PVC cable     | 2021D                                     |
| 5 m PVC cable     | 2021D-5                                   |
| 10 m PVC cable    | 2021D-10                                  |
| 15 m PVC cable    | 2021D-15                                  |
| 20 m PVC cable    | 2021D-20                                  |
| Application       | Non-contact detection of metallic objects |

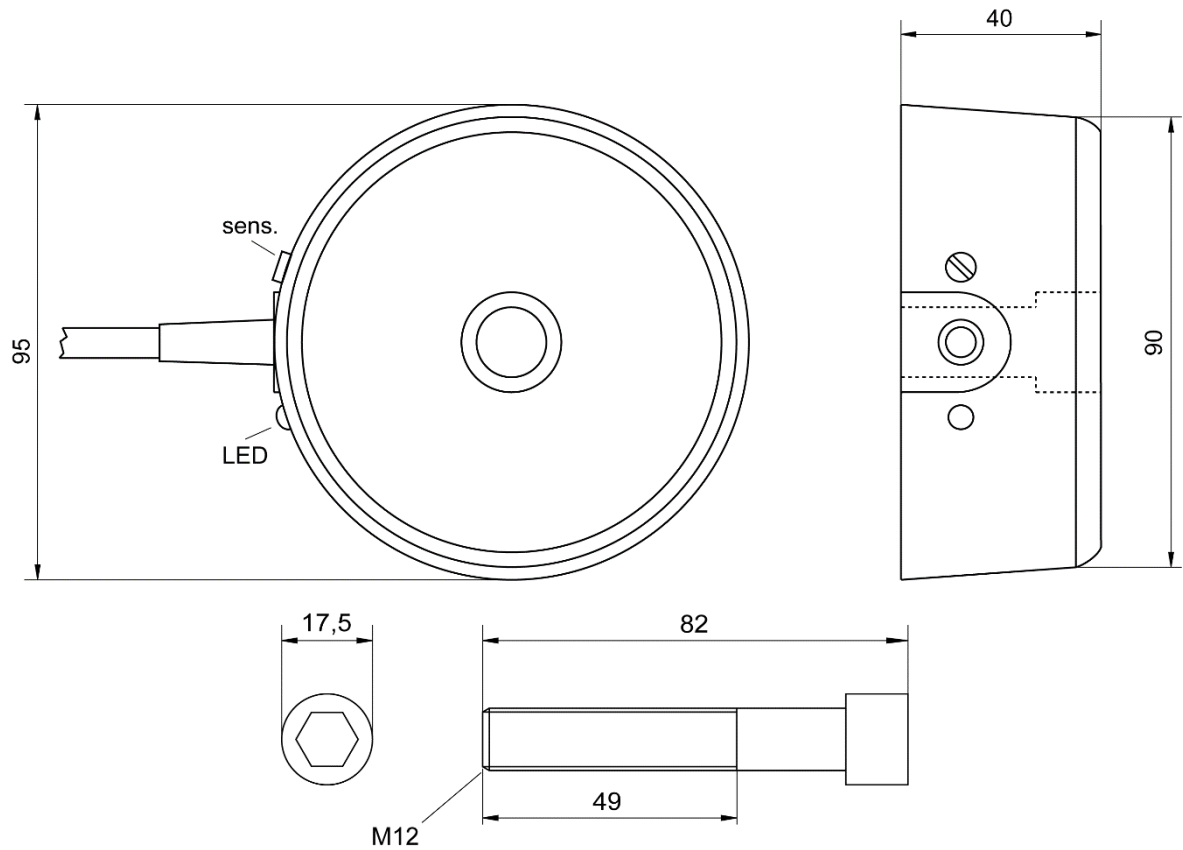
### Technical Data

|                                    |                   |
|------------------------------------|-------------------|
| Rated operating distance ( $S_n$ ) | 70 mm             |
| Target steel St37, 1 mm thick      | 210 x 210 mm      |
| Operating distance adjustable      | yes               |
| Switching hysteresis (H)           | 1 - 15 %          |
| Location at metal                  | non flush         |
| Supply voltage ( $U_B$ )           | 10 - 55 V DC      |
| Ripple voltage                     | max. 15 %         |
| Output                             | PNP normally open |
| Continuous current                 | 0 - 400 mA        |
| Short-circuit protection           | yes, pulsing      |
| No-load current ( $I_0$ )          | < 10 mA           |
| Voltage drop ( $U_d$ )             | < 2 V             |
| Operating frequency (f)            | 90 Hz             |
| Ambient temperature                | -25 ... +70 °C    |
| Protection class                   | IP 67             |
| Housing material                   | plastic           |
| Functional display                 | LED               |

### Connection



**Dimension (mm)**



**Accessories** (in scope of supply)

|                                    | Type   | Art.-No. |
|------------------------------------|--------|----------|
| Mounting screw polyamide M12x70 mm | HNS 72 | 9833A    |
| Cover cap for mounting screw       | HAK M  | 9877A    |

**Accessories** (not in scope of supply)

|  | Type    | Art.-No. |
|--|---------|----------|
| Heat protection cover to protect the sensor surface from radiant heat up to 260 °C | HKP K M | 9810F    |

**Further information**

|                  | Document   |
|------------------|------------|
| Operating manual | BDA_IK_D_E |