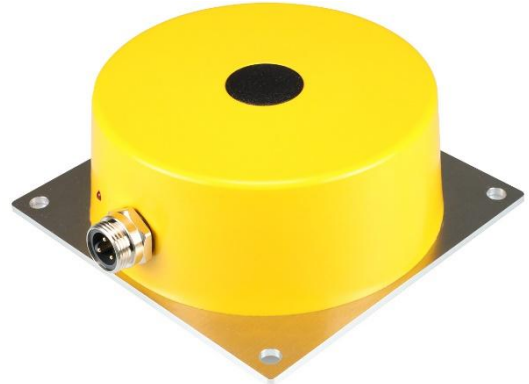


- Housing 170 x 170 x 67 mm
- Rated operating distance (S_n) 100 mm
- AC/DC 2 wire normally closed
- Plug S5 (7/8" 16UN)



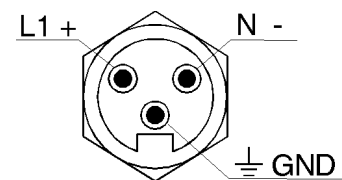
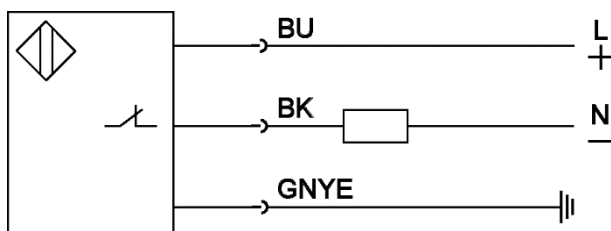
Product Characteristics

Type	IKOH 100.04 G S5
Connection	Art.-No.
Plug S5 (7/8" 16UN)	2059B
Application	Non-contact detection of metallic objects

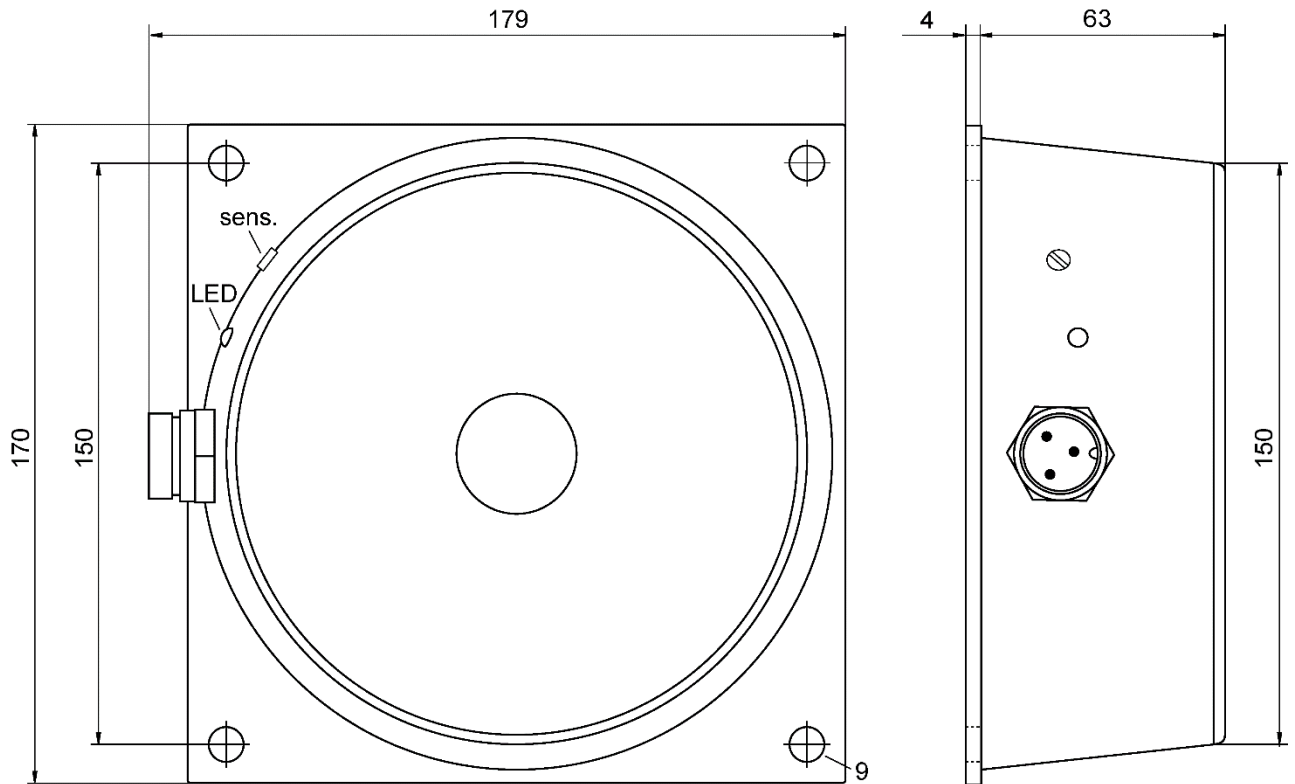
Technical Data

Rated operating distance (S_n)	100 mm
Target steel St37, 1 mm thick	300 x 300 mm
Operating distance adjustable	yes
Switching hysteresis (H)	1 - 15 %
Location at metal	non flush
Supply voltage (U_B)	20 - 260 V AC/DC
Power frequency	40 - 440 Hz
Ripple voltage	max. 15 % (DC)
Output	normally closed
Continuous current	5 - 400 mA
Short-circuit protection	yes, pulsing
Residual current (I_r)	1,7 mA / 260 V AC 1,0 mA / 24 V DC
Voltage drop (U_d)	< 9 V
Operating frequency (f)	25 Hz (AC) / 50 Hz (DC)
Ambient temperature	-25 ... +70 °C
Temperature drift	max. 15 %
Protection class	IP 67
Housing material	plastic / mounting plate aluminum
Functional display	LED

Connection



Dimension (mm)



Accessories (in scope of supply)

	Type	Art.-No.
-	-	-

Accessories (not in scope of supply)

	Type	Art.-No.
Female plug S5 AC (7/8" 16UN), straight, can be assembled, 3 wire	STS5-AC	9844D
Connection cable 5 m, 3 wire, with straight female plug S5 AC (7/8" 16UN)	STS5-AC5	9844A
Connection cable 10 m, 3 wire, with straight female plug S5 AC (7/8" 16UN)	STS5-AC10	9844C

Further information

	Document
Operating manual	BDA_IK_D_E