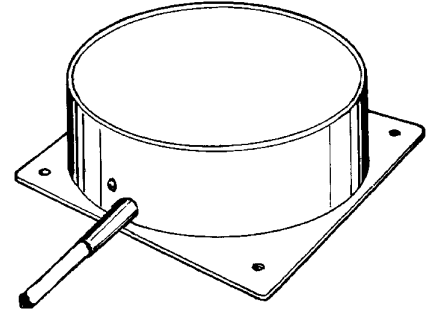


upto +100 °C

Short circuit protected proximity switch for higher operating distances with AC/DC 2-wire technology.

The Sensor is suitable for higher ambient temperature by the increased temperature range.



## Technical Data

<b>Type</b>	<b>IKE 100.05 GH</b>
Art.-No.	2130H
Rated operating distance	100 mm
Output	normally open
Operating distance adjustable	no
Target steel St37, 1 mm thick	300 x 300 mm
Location at metal	flush
Supply voltage	20 - 260 V AC/DC
Power frequency	40 - 440 Hz
Ripple voltage	max. 15 % (DC)
Load current max.	5 - 400 mA
Short- time load current	0,8 A / 100 ms 2 A / 10 ms
Short circuit protection	yes, pulsing
Residual current	1,7 mA / 260 V AC 1,0 mA / 24 V DC
Voltage drop	9 V
Operating frequency DC/AC	50 Hz / 15 Hz
Switching hysteresis	1 - 15 %
Ambient temperature	-25 ... +100 °C
Protection class	IP 67
Connection	2 m POKT-Therm cable
Function display	LED
Housing material	aluminum
<b>Further available designs:</b>	<b>Type:</b>
with ambient temperature +70° C	IKE 100.05 G
Art.-No.	2130E

## Diagram of Connections

