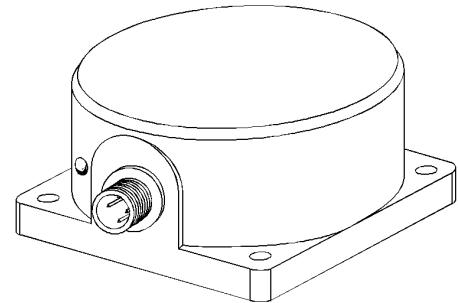


Short circuit protected proximity switch with 4-wire connection.

PNP normally open / normally close output and Proxi-Teach function.

The sensor recognises the existing installation conditions after the key is pressed, and adjusts the operating distance optimally.

Teach - In  
Funktion



## Technical Data

|  |                               |
|--|-------------------------------|
| <b>Type</b>                                | <b>IKK 060T.38 GS4</b>        |
| Art.-No.                                   | 2046E                         |
| Rated operating distance (S <sub>n</sub> ) | 60 mm                         |
| Output                                     | PNP n. o. + n. c.             |
| Operating distance adjustable              | Teach In*                     |
| Target steel St37, 1mm thick               | 180 x 180 mm                  |
| Location at metal                          | Non flush                     |
| Supply voltage (U <sub>B</sub> )           | 10 - 55 V DC                  |
| Ripple voltage                             | max 15 %                      |
| Load current max.                          | 0 - 400 mA                    |
| Short-time load current                    | 2 A / 10 ms<br>0,8 A / 100 ms |
| Short circuit protection                   | yes, pulsing                  |
| Voltage drop (U <sub>d</sub> )             | < 2 V                         |
| No-load current (I <sub>0</sub> )          | < 10 mA                       |
| Switching frequency (f)                    | 50 Hz                         |
| Switching hysteresis (H)                   | 1 - 15 %                      |
| Ambient temperature                        | -40 ... +70 °C                |
| Temperature cycling -40...-25°C            | < 20 K/h                      |
| Protection class                           | IP 67**                       |
| Connection                                 | plug S4                       |
| Function display                           | LED                           |
| Housing material                           | Plastic PBT                   |

\*The teach-in function enables usage under non-standard conditions such as, for example, partly flush installation. For further setting information see PIA002

\*\*The protection class is complied with when the protection screw for the adjusting device is screwed in.

## Diagram of Connections

